

# One of Smart Generating Device High-Stable Magnetic Electromagnet

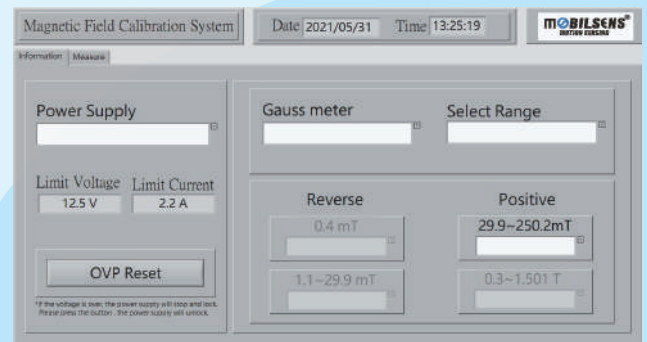
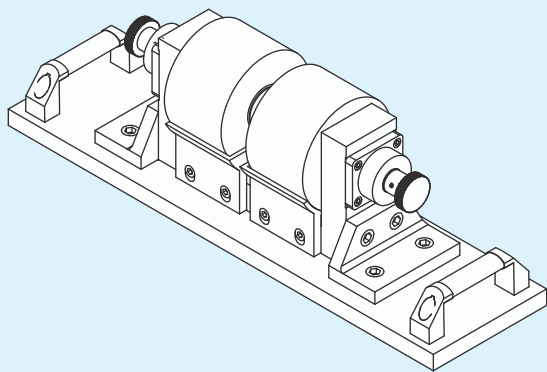
## 電磁場量測校正-軟體調控場強電磁鐵系統

Electromagnets are useful for the wide range of experiments like Hall / spin and Hall Effect measurements, magnetic susceptibility and sensor calibrations. It's used in research and heavy industry applications field. It can also produce a maximum flux density of 2 Tesla at the pole gap of 2mm.

電磁鐵被廣泛運用於實驗中，舉例來說：霍爾效應、磁化率及感測器校準。其主要被用於研究和工業運用。此產品2mm極間隙時可產生最大磁通量密度2 Tesla。

We provide a variety of customized electromagnet products combined with graphic control software, high precision control and monitoring of magnetic field values. Our products have excellent performance field in linearity, stability, repeatability and durability.

我們提供多種客製化的電磁鐵產品，結合圖控化軟體、高精準的控制及監測磁場數值。我們的產品於線性度、均勻性、重複性、耐久性皆有優異的性能表現。



### Specification 產品規格

- |                             |      |   |                          |
|-----------------------------|------|---|--------------------------|
| ➤ Supply Voltage            | 供應電壓 | : | 0 to 15 V                |
| ➤ Supply Current            | 供應電流 | : | 0 to 2 A                 |
| ➤ Pole Gap                  | 極間隙  | : | 2 to 35 mm               |
| ➤ Maximum Magnetic Field    | 最大磁場 | : | 2 Tesla (@2 mm pole gap) |
| ➤ Environmental Temperature | 環境溫度 | : | 25°C ± 2°C               |
| ➤ Maximum Peak Power        | 最大功率 | : | 30 W                     |
| ➤ Weight                    | 重量   | : | 25 kg                    |

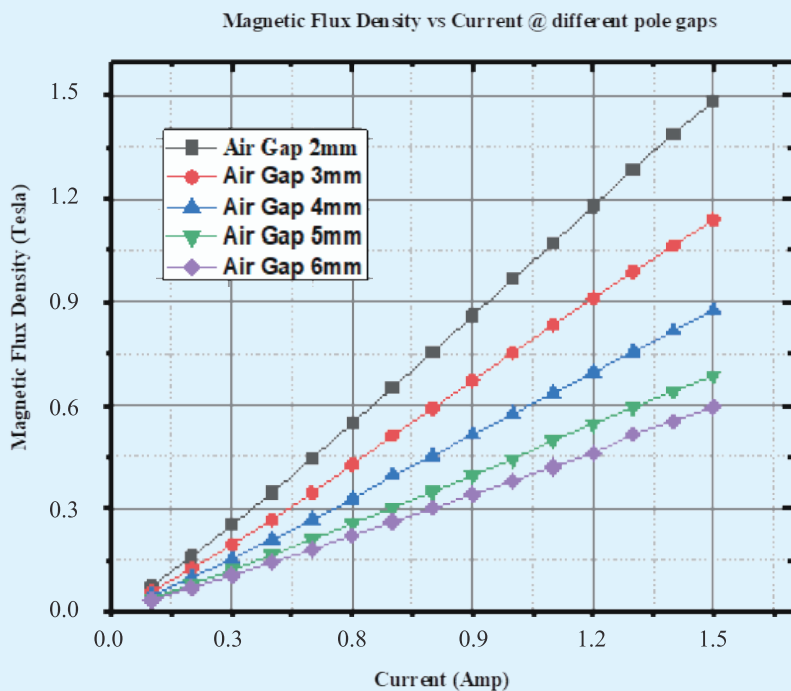
### Application & Field 應用領域

- |  |         |  |
|--|---------|--|
| ➤ Hall Effect Calibration                | 霍爾效應校正  |  |
| ➤ Magneto-Optical Studies                | 磁光效應研究  |  |
| ➤ Laboratory Experiments                 | 磁實驗室量測  |  |
| ➤ Magnetic Highly Separation Experiments | 磁力分離實驗  |  |
| ➤ Magnetic Alignment of Small Components | 小零件的磁排列 |  |

# Performance 產品性能

- ▶ Linearity 線性度: 0.777 T/A
- ▶ Repeatability 重複性: 0.2% @ 1 A, 3 mm Airgap
- ▶ Stability 均勻性: 3% @  $\varnothing 29$  mm pole piece
- ▶ Durability 耐久性: 0.1% @ 5 mins / 1 T

## Magnetic Flux Density Chart 磁通量密度特性曲線



Note: 此為溫度  $25^{\circ}\text{C} \pm 2\%$  的條件 溫升會影響此量測曲線數據

## Outline Drawing 外型圖

F020-021

Unit: mm

